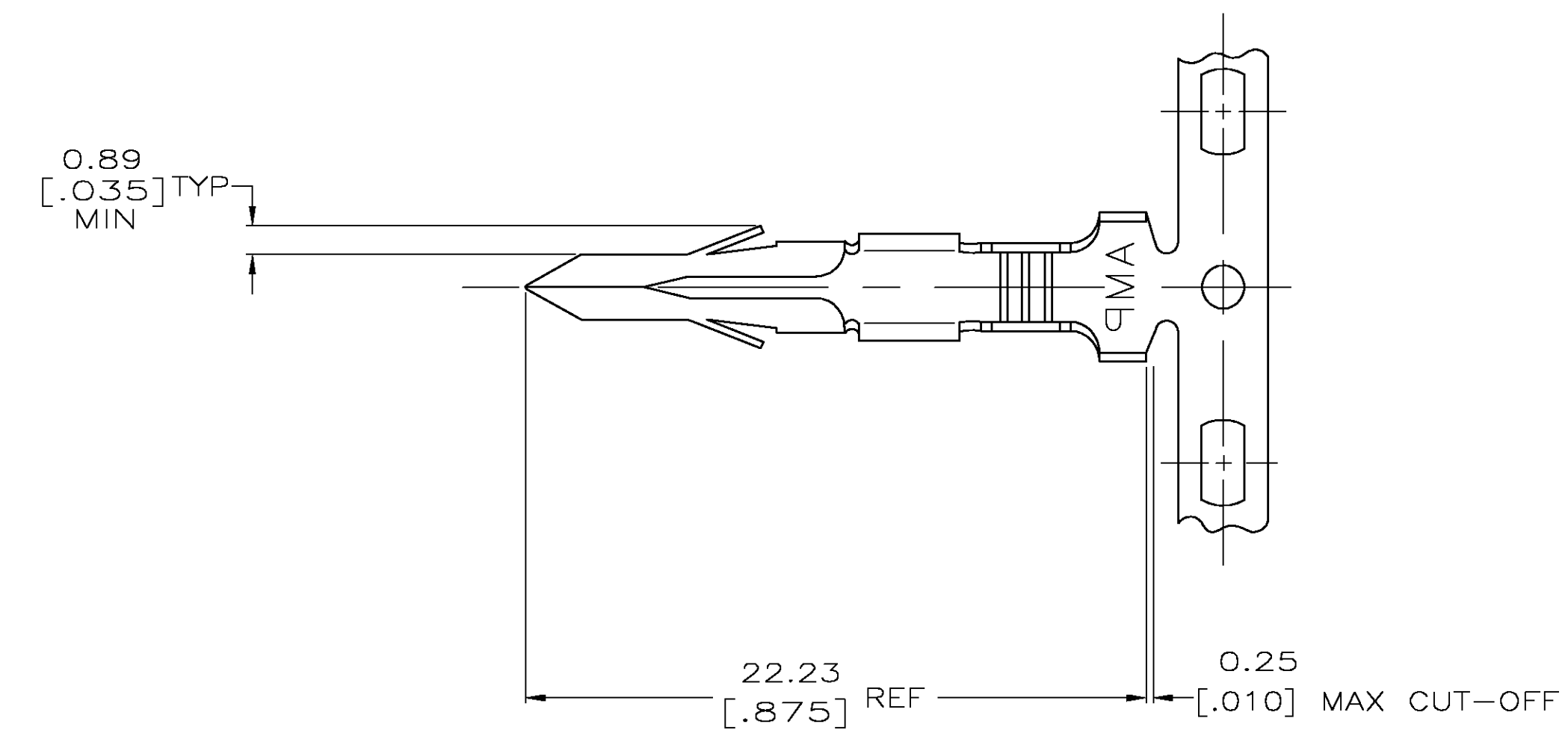
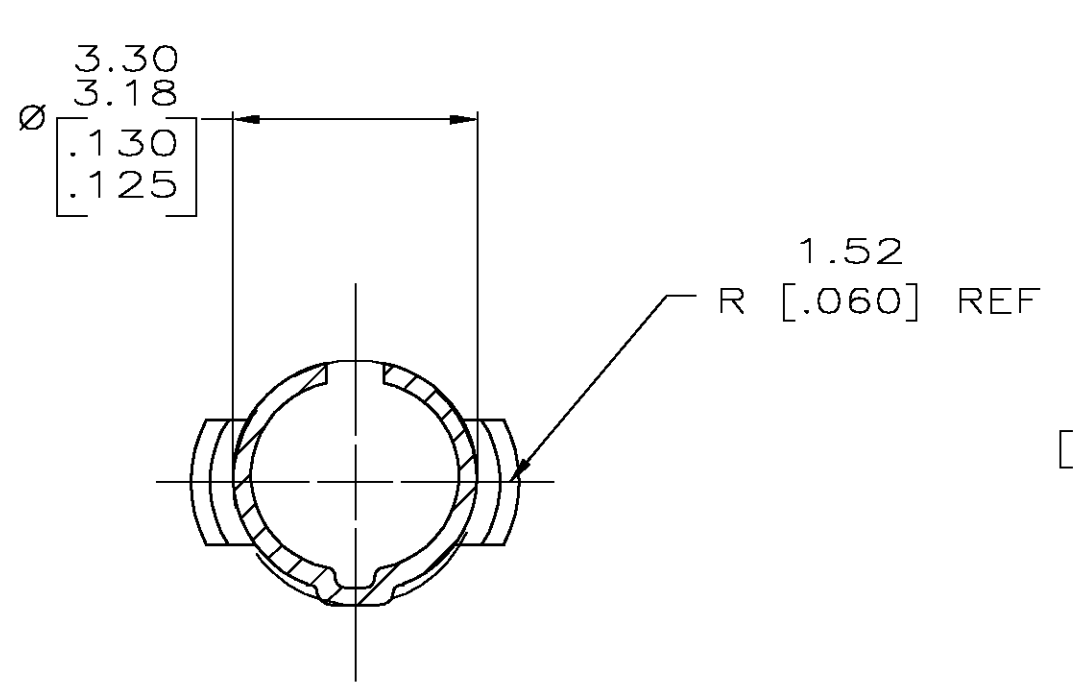
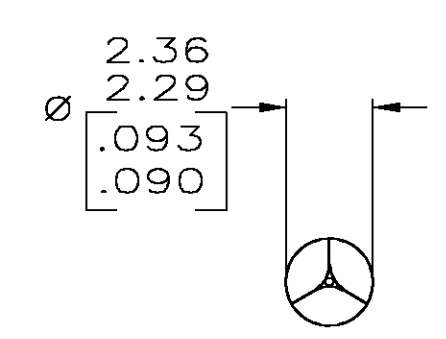
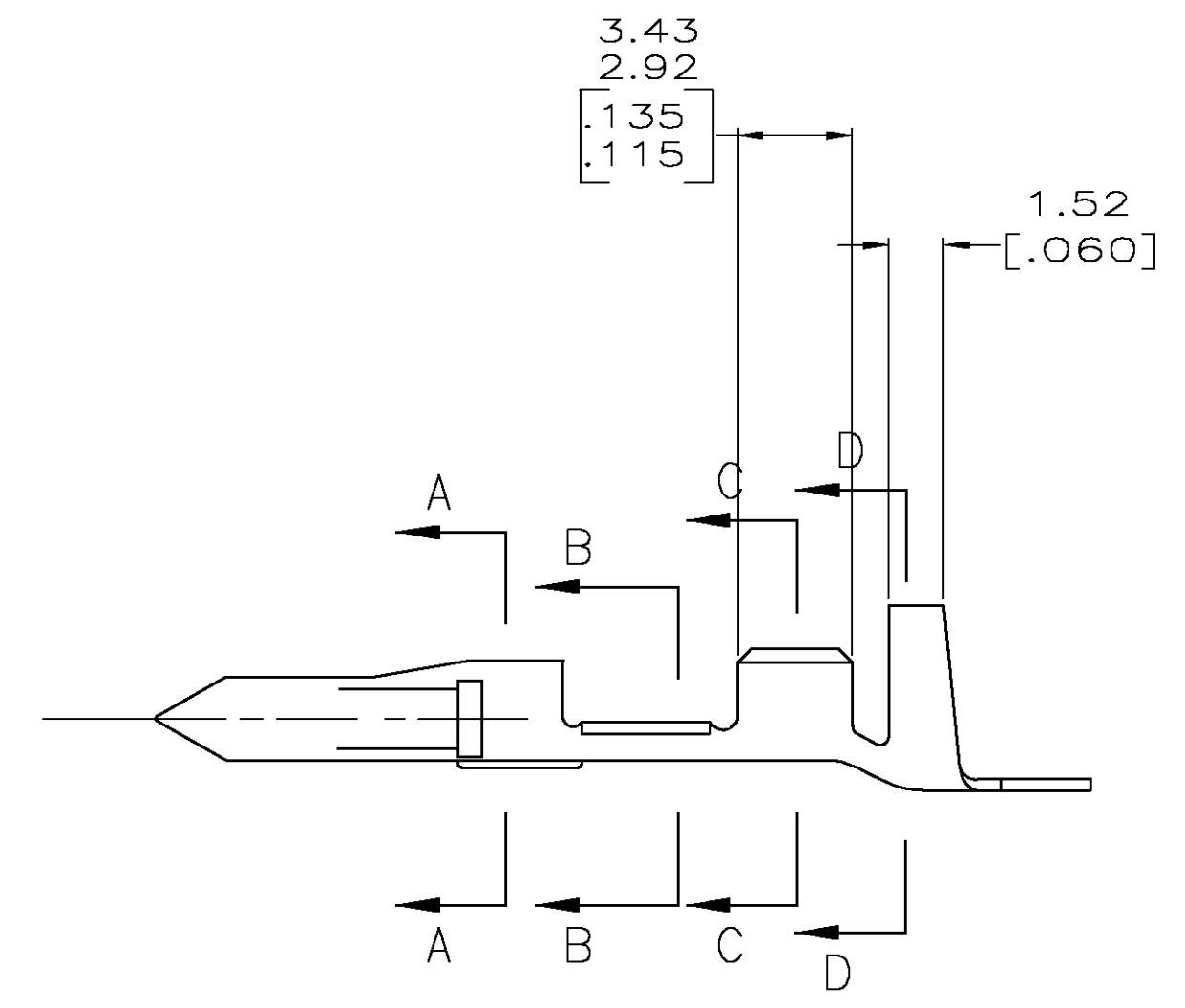


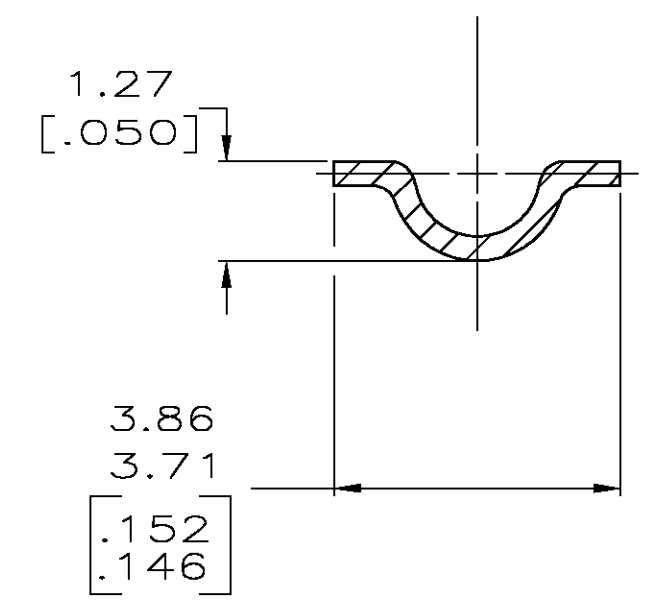
LOC		DIST		REVISIONS			
P	LR	DESCRIPTION	DATE	BY	APP'D		
J		REVISED PER 063B-0144-04	17JUN04	KW	DS		



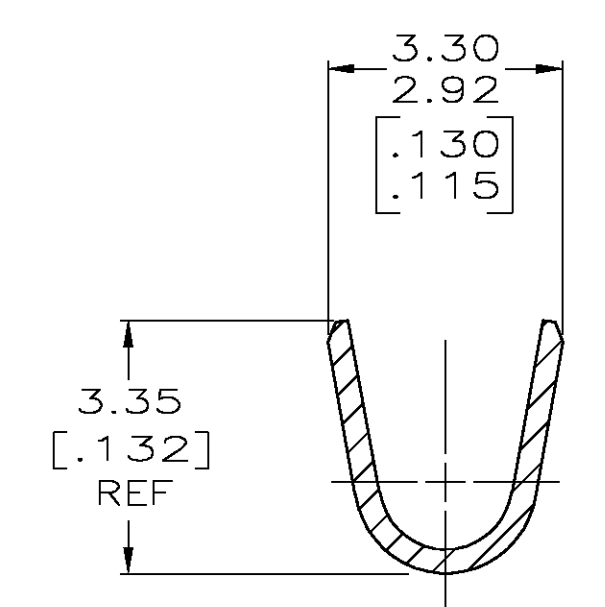
- INSULATION RANGE- 4.57 [.180] MAX DIA.  
WIRE RANGE- 0.6-2mm<sup>2</sup> [20-14] AWG.
- NOT RECOMMENDED FOR USE IN 1,5,6,9,12,&15 POSITION STANDARD 2.36 [.093] COMMERCIAL PIN & SOCKET HOUSINGS WITH INSULATION DIAMETERS GREATER THAN 4.06 [.160].
- DIMENSIONS IN BRACKETS ARE IN INCHES.



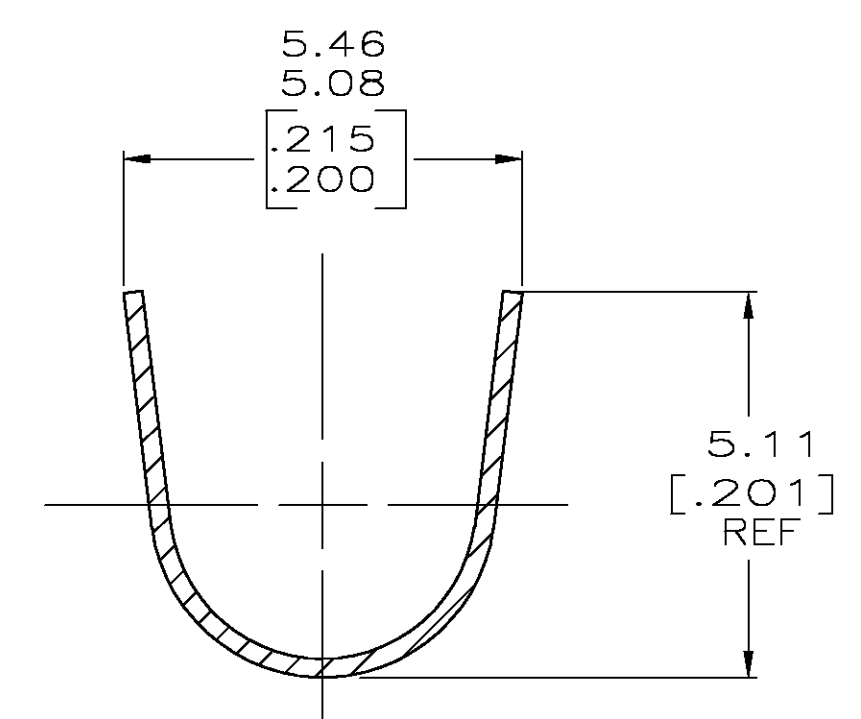
SECTION A-A  
SCALE 10:1



SECTION B-B  
SCALE 10:1



SECTION C-C  
SCALE 10:1



SECTION D-D  
SCALE 10:1

**METRIC**

770530-1  
PART NO

THIS DRAWING IS A CONTROLLED DOCUMENT.		DWG K. WHITAKER	17JUN04		Tyco Electronics Corporation Greensboro, NC 27409	
DIMENSIONS: mm [INCHES]		CHK D. COLEY	17JUN04		NAME D. COLEY	
TOLERANCES UNLESS OTHERWISE SPECIFIED:		APPROD D. COLEY		PRODUCT SPEC		
0 PLC ± -		APPLICATION SPEC		SIZE		
1 PLC ± -		WEIGHT		CAGE CODE		
2 PLC ± -		CUSTOMER DRAWING		DRAWING NO		
3 PLC ± .005		SCALE 5:1		770530		
4 PLC ± -		SHEET 1 OF 1		RESTRICTED TO		
ANGLES ± 0.30°		REV J				